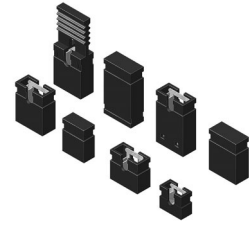
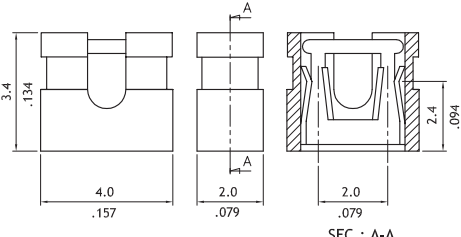
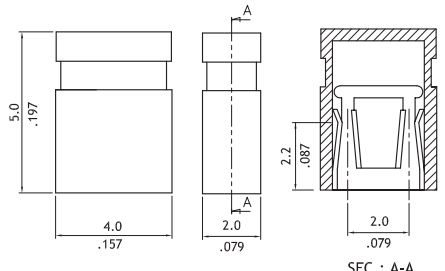
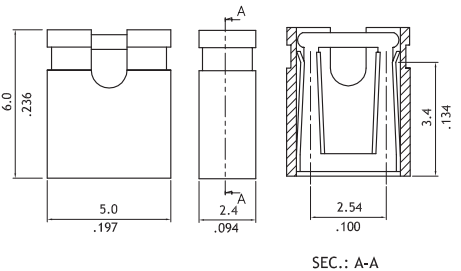
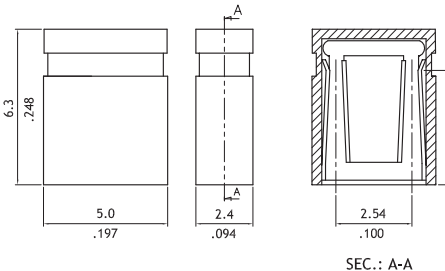
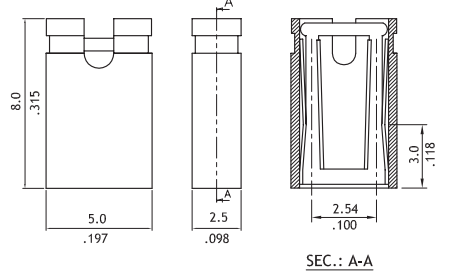
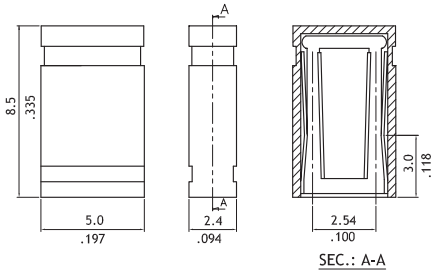
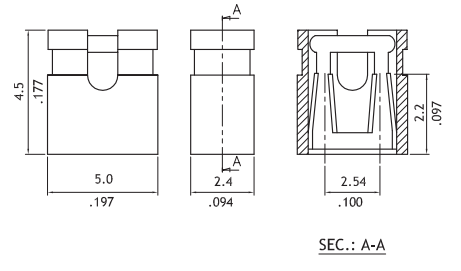
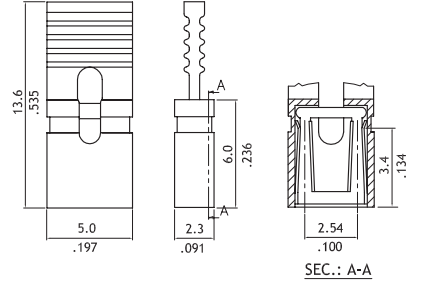


CS01 Series 2.54mm(.100") Dual Row Multiple Shunts

- Available variety of body height
- Handle type available
- Low cost and reliable
- Color code option "*"
 - 1= Black, 3= Red, 7= Blue
- Gold flash plated as standard



RoHS Compliant

<p>Part. Number MJ3.4-2.0, Black</p> <p>P/N CS01342B*00</p>  <p>SEC.: A-A</p>	<p>P/N CS01502A*00</p>  <p>SEC.: A-A</p>
<p>Part. Number MJ6, Black</p> <p>P/N CS01602B*00</p>  <p>SEC.: A-A</p>	<p>P/N CS01632A*00</p>  <p>SEC.: A-A</p>
<p>P/N CS01802B*0A</p>  <p>SEC.: A-A</p>	<p>P/N CS01852A*00</p>  <p>SEC.: A-A</p>
<p>P/N CS01452B*00</p>  <p>SEC.: A-A</p>	<p>Part. Number MJ14, Black</p> <p>P/N CS01X12A*00</p>  <p>SEC.: A-A</p>

CS

BOARD INTERFACE