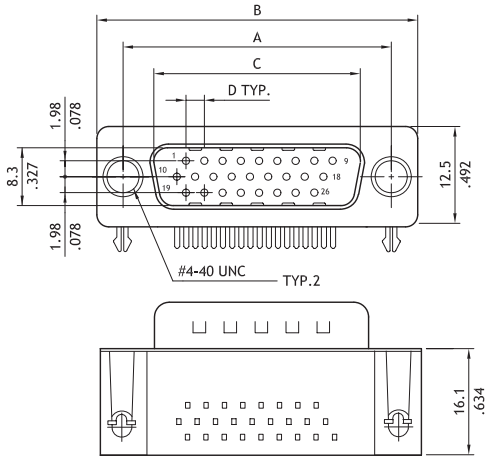
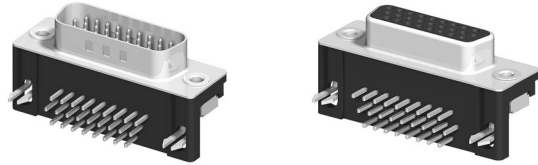


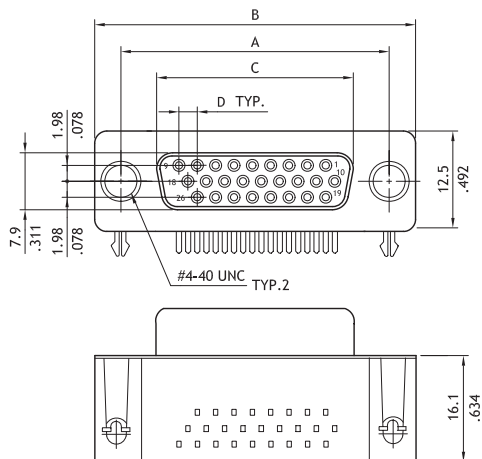
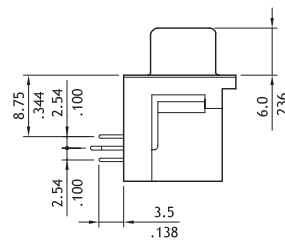
CD05 Series High Density Right Angle DIP Solder D-Sub

- ⊙ Mate with standard D-Sub
- ⊙ With metal shell and solder tails
- ⊙ Riveted grounding hooks or tabs options



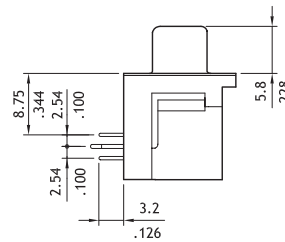
Plug Connector

Circuits	Dimension			
	A	B	C	D
15	25.00(.984)	30.8(1.213)	16.92(.666)	2.29(.090)
26	33.32(1.312)	39.2(1.543)	25.25(.994)	2.29(.090)
44	47.04(1.852)	53.1(2.091)	38.96(1.534)	2.29(.090)
62	63.50(2.500)	69.4(2.732)	55.42(2.182)	2.41(.095)



Receptacle connector

Circuits	Dimension			
	A	B	C	D
15	25.00(.984)	30.8(1.213)	16.3(.642)	2.29(.090)
26	33.32(1.312)	39.2(1.543)	24.6(.969)	2.29(.090)
44	47.04(1.852)	53.1(2.091)	38.3(1.508)	2.29(.090)
62	63.50(2.500)	69.4(2.732)	54.8(2.157)	2.41(.095)



Ordering Code

1 **2** **3** **4** **5** **6**
CD05 15 S 2 1 F0

1 Series No.

2 Contacts:
15,26,44,62

3 Connector type:
P= Plug
S= Receptacle

4 Plating code:

2= Gold flash over Nickel
 A= Selective Gold flash over Nickel
 *Optional plating available but MOQ requested

5 Insulator Color:

1=Black
 *Optional insulator color consult manufacturer

6 Other options:

F0= Riveted ground hooks
 with #4-40 UNC open (Standard)

I0= Riveted ground tabs thread #4-40
 UNC open and ground tabs with
 ø3.2mm holes

J0= Assembly ground hooks
 by #4-40 UNC Hex screws

G0=Riveted ground hooks pre-loaded
 #4-40 UNC Hex screws

*Special options Consult manufacturer